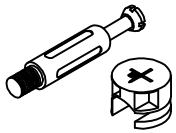
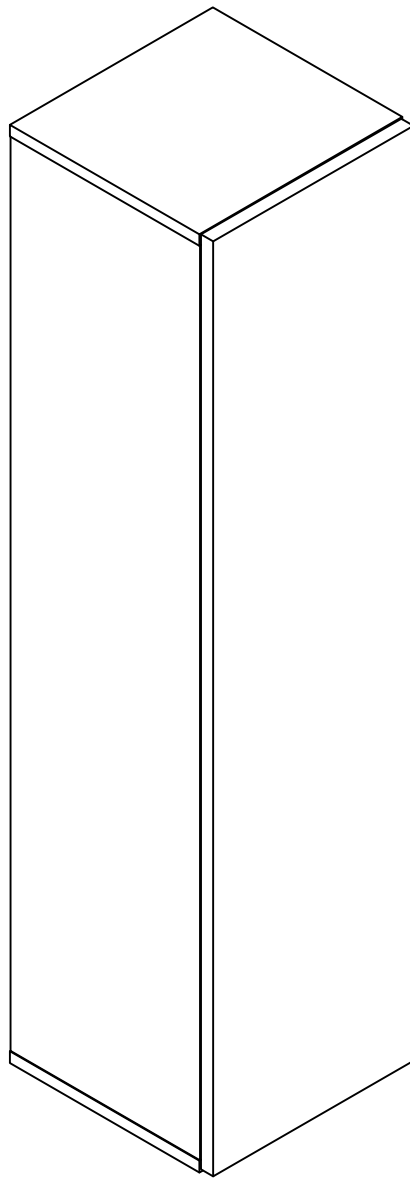
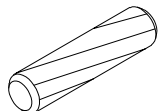




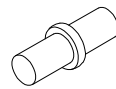
VIAO541



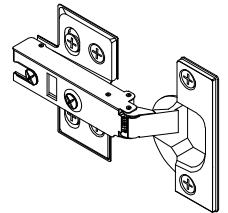
A × 12



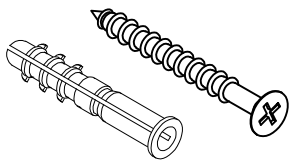
Φ8*40



C × 8



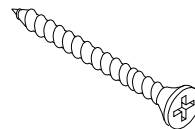
D × 3



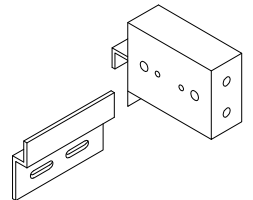
Φ8*60



Φ3.5*14



Φ3.5*30



H × 2

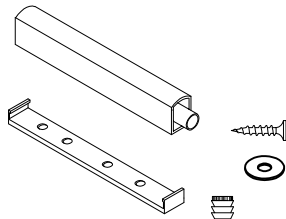
I1



I2



Φ3*14



F × 20

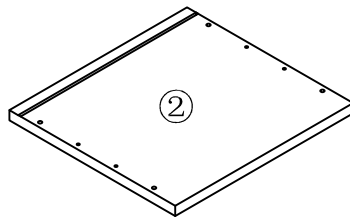
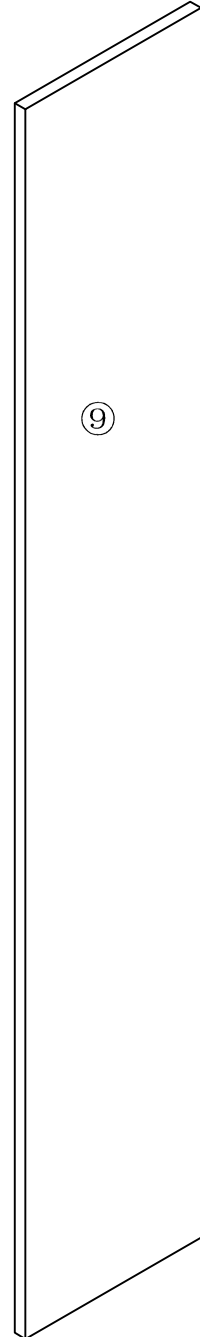
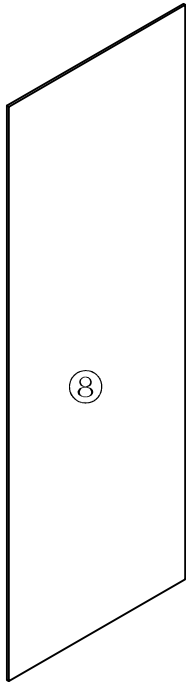
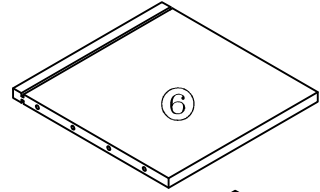
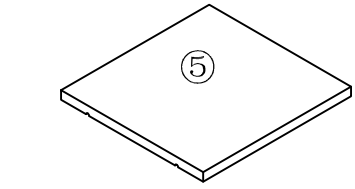
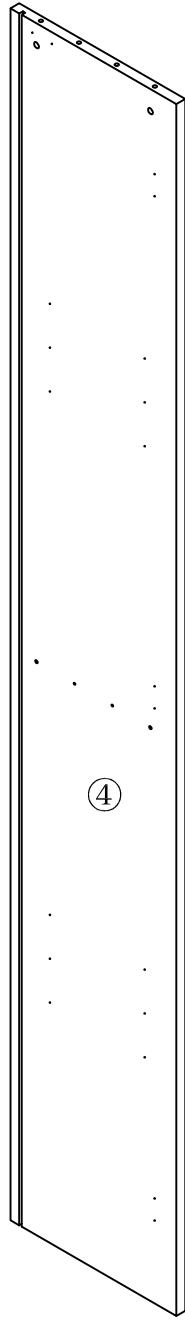
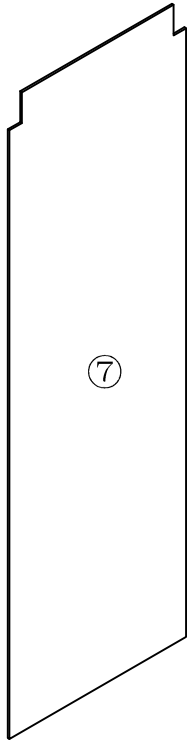
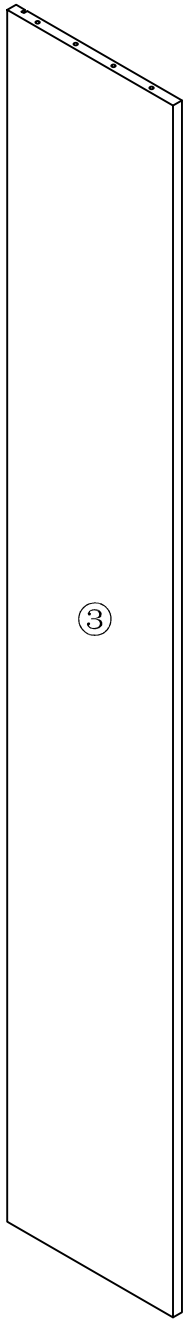
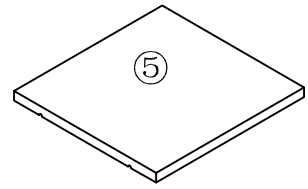
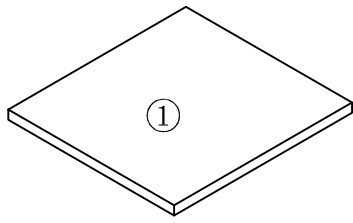


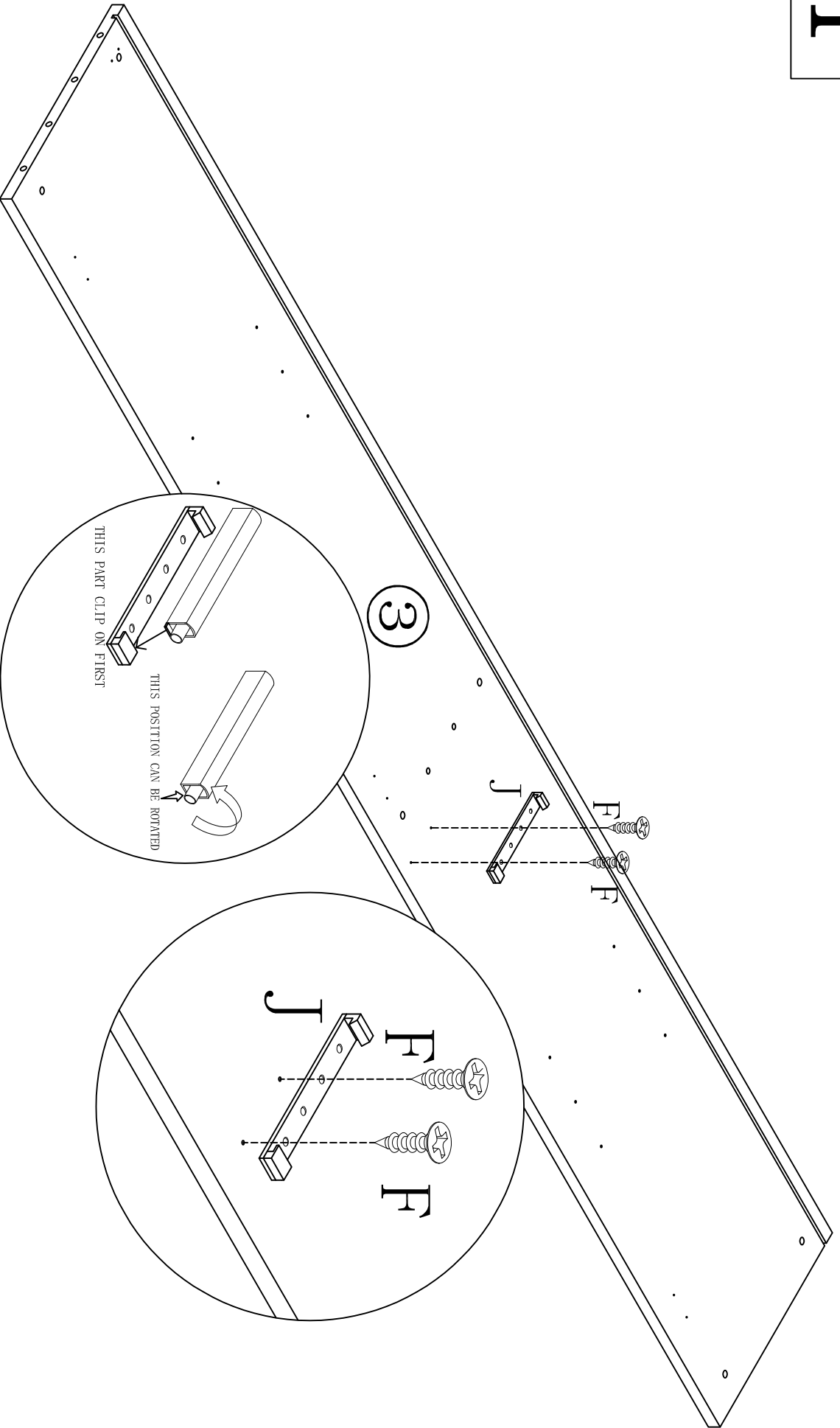
Φ20

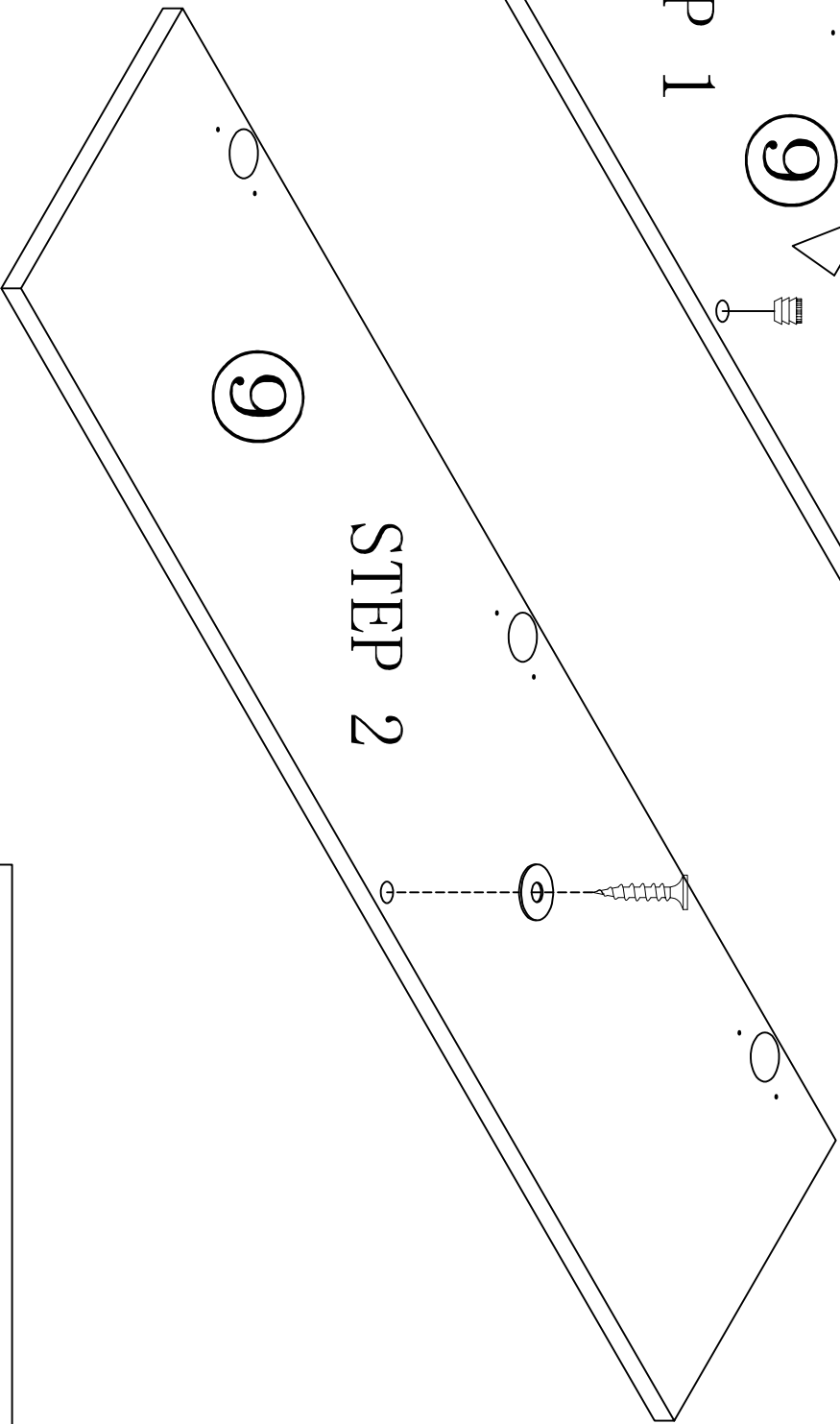
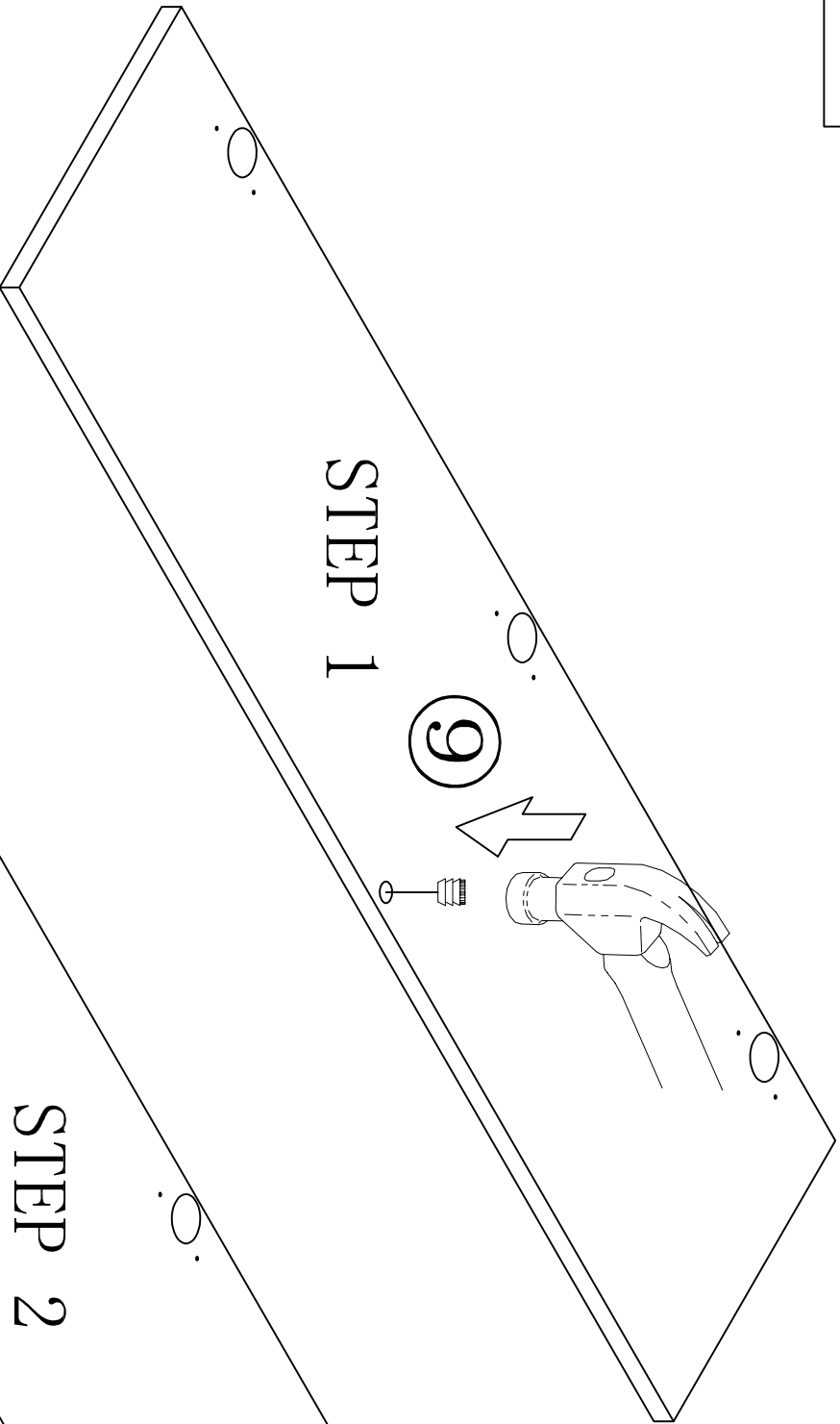
I × 10

J × 1

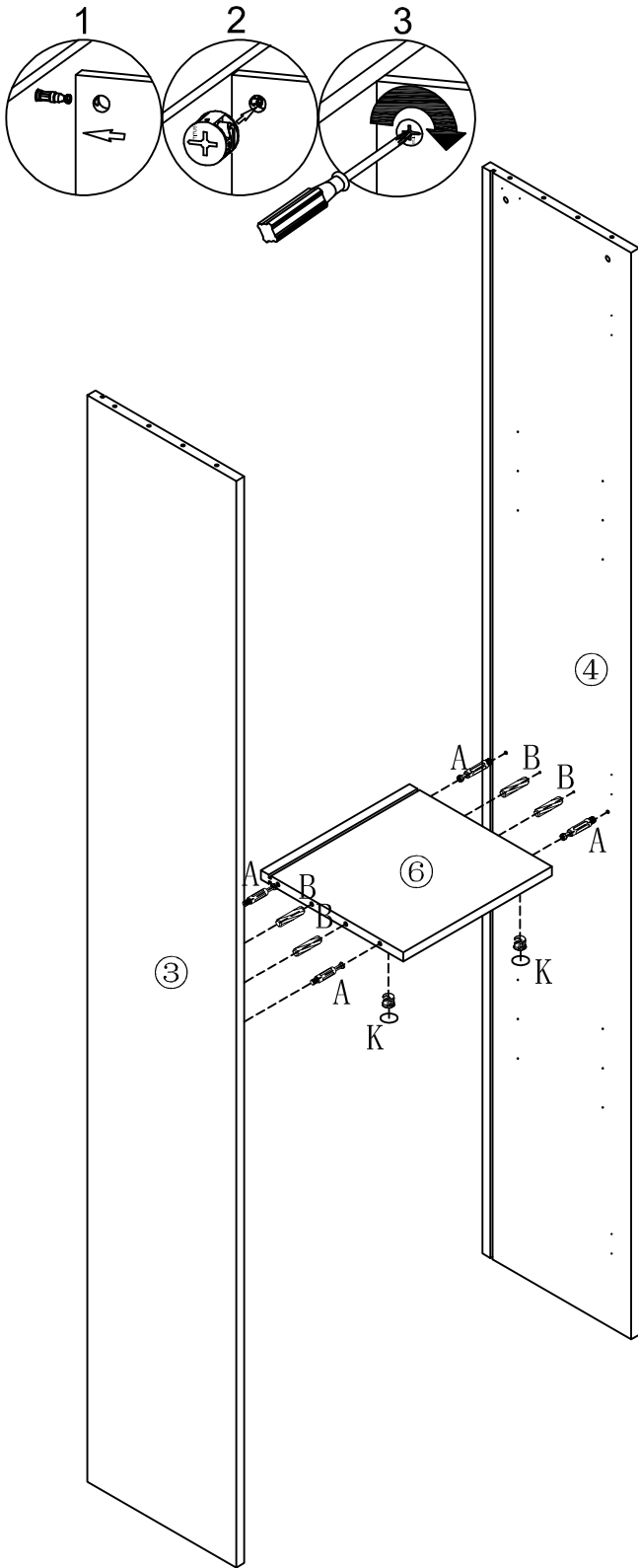
K × 12



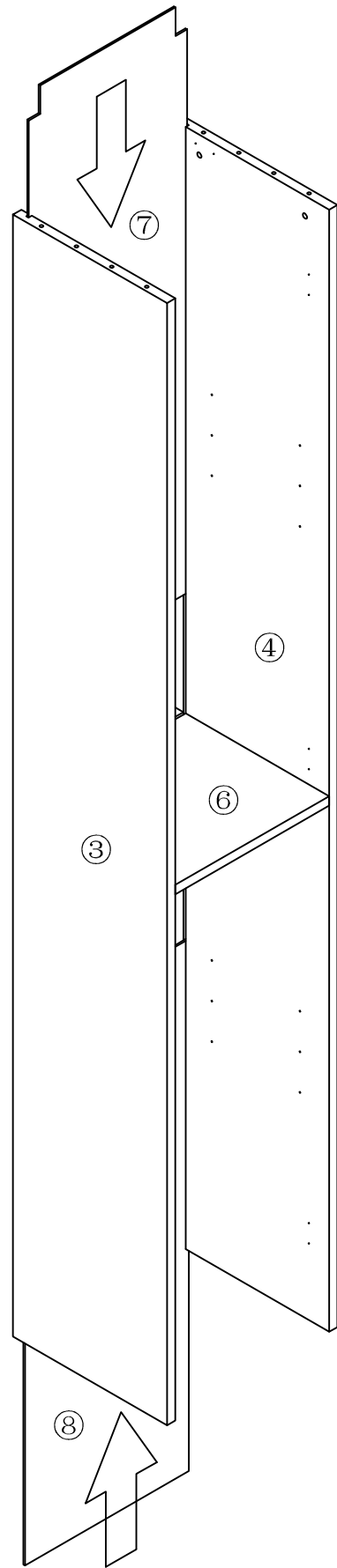




3

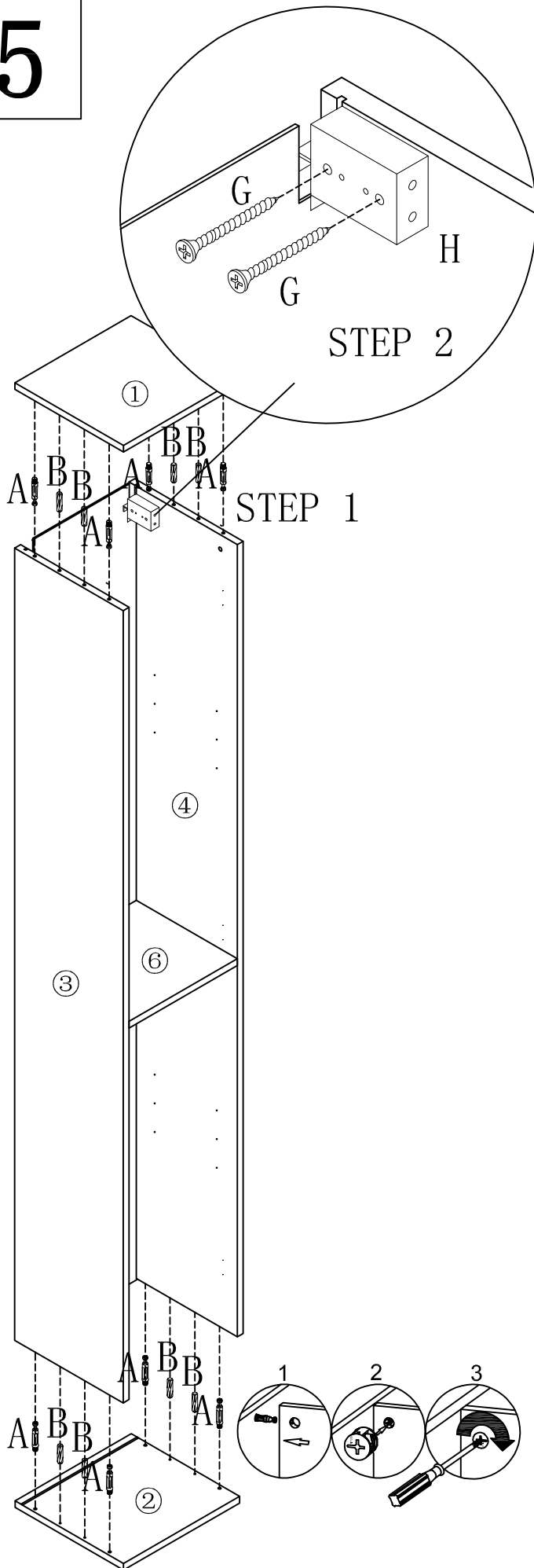


4



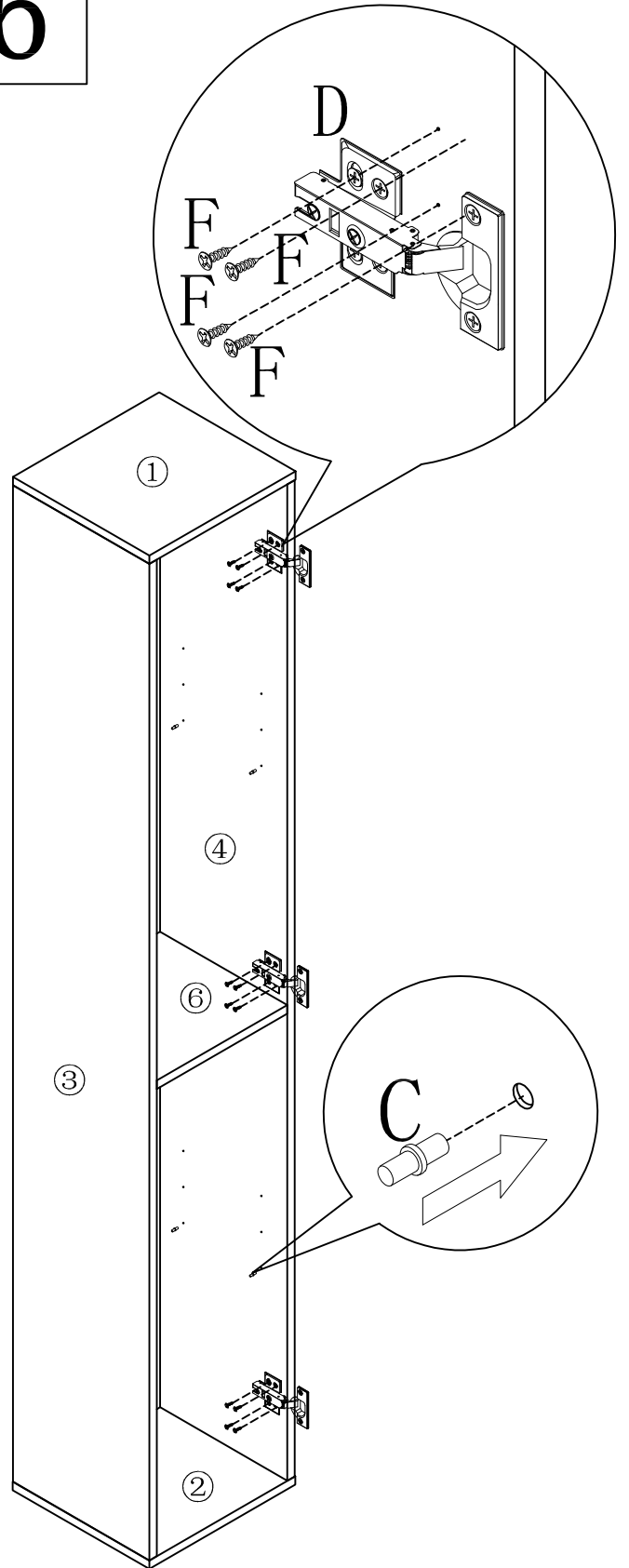
A×4 B×4 K×4

5



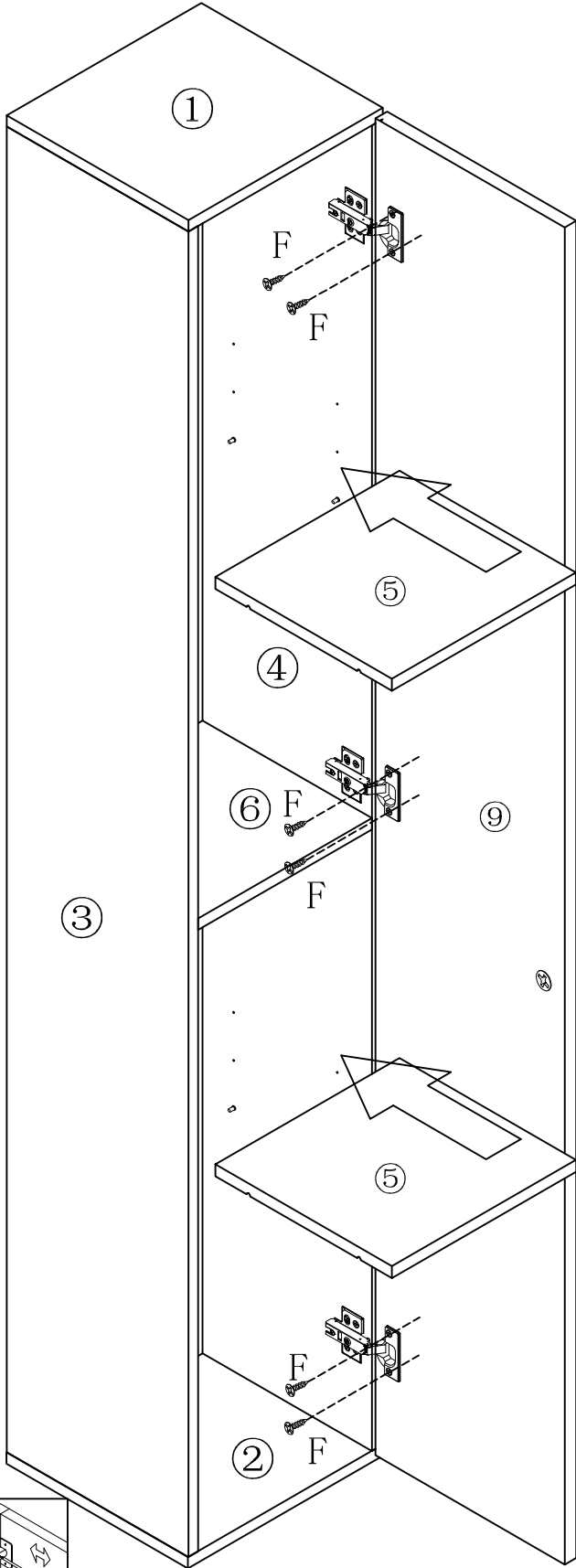
A × 8 B × 8 K × 8
 H × 2 G × 4

6



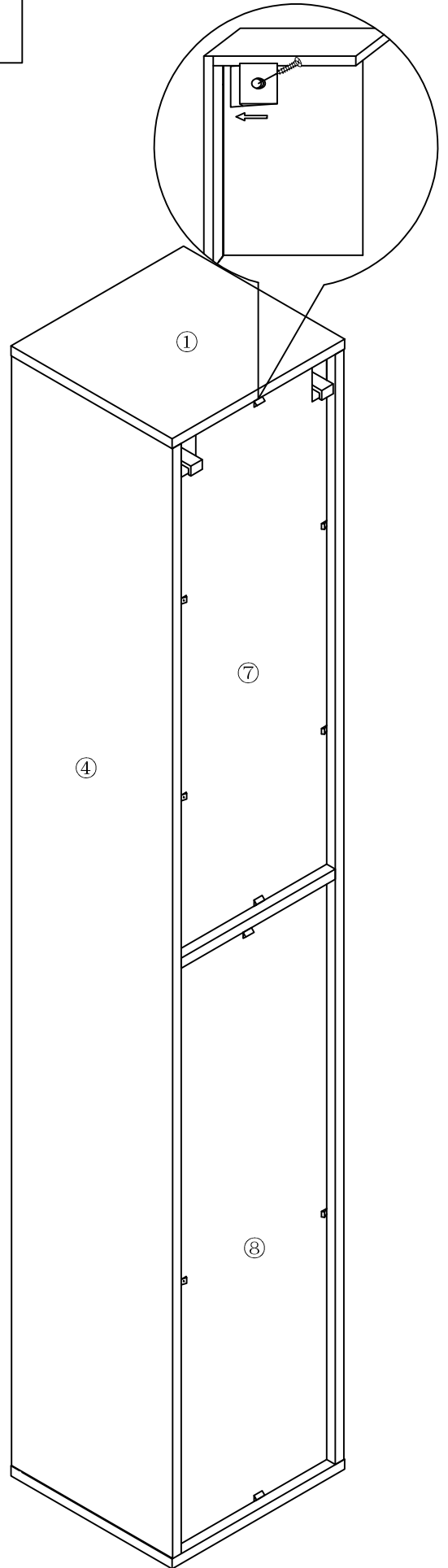
D × 3 F × 12 C × 8

7



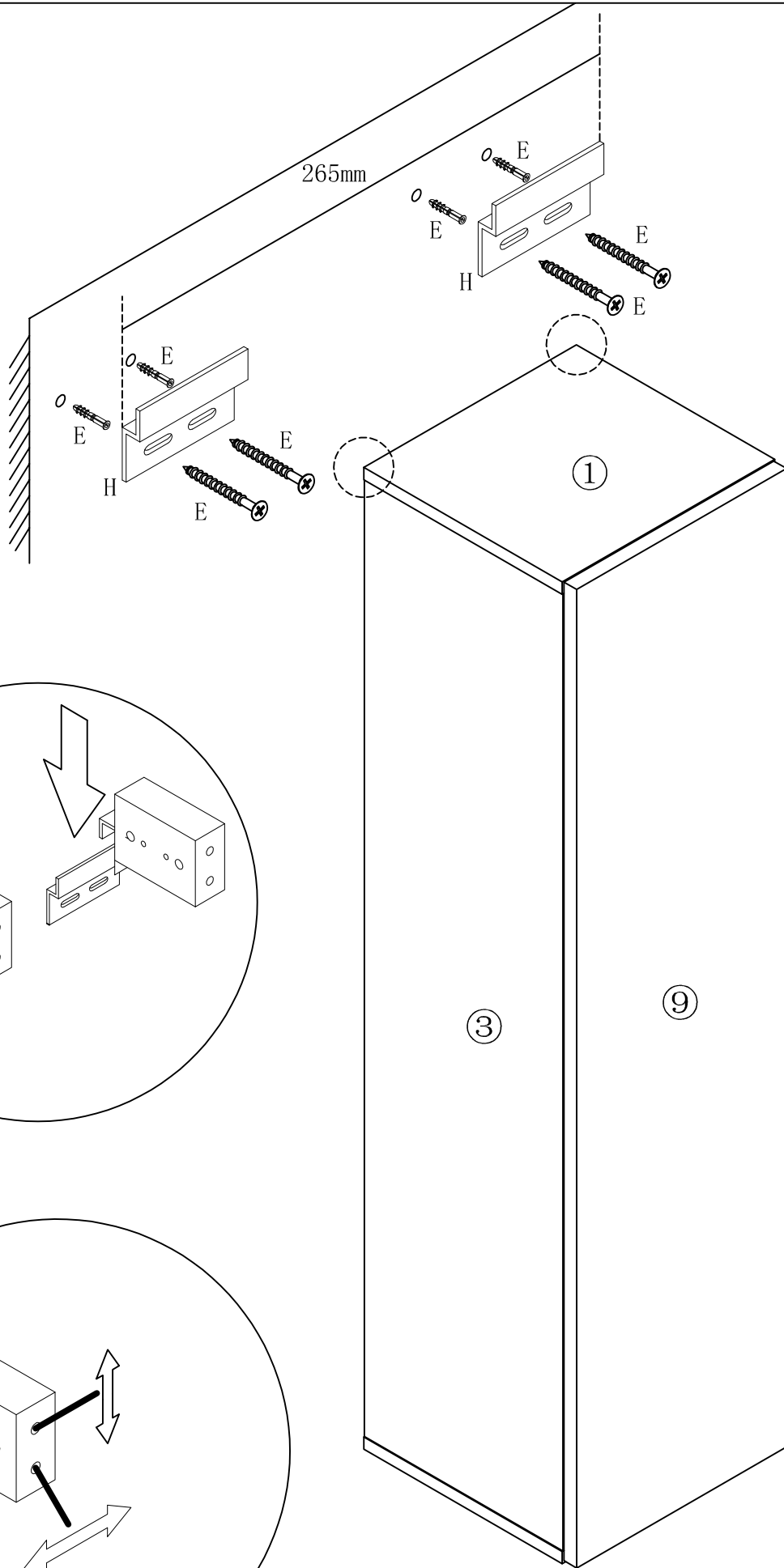
F×6

8



I1×10 I2×10

9



$E \times 4 \quad H \times 2$