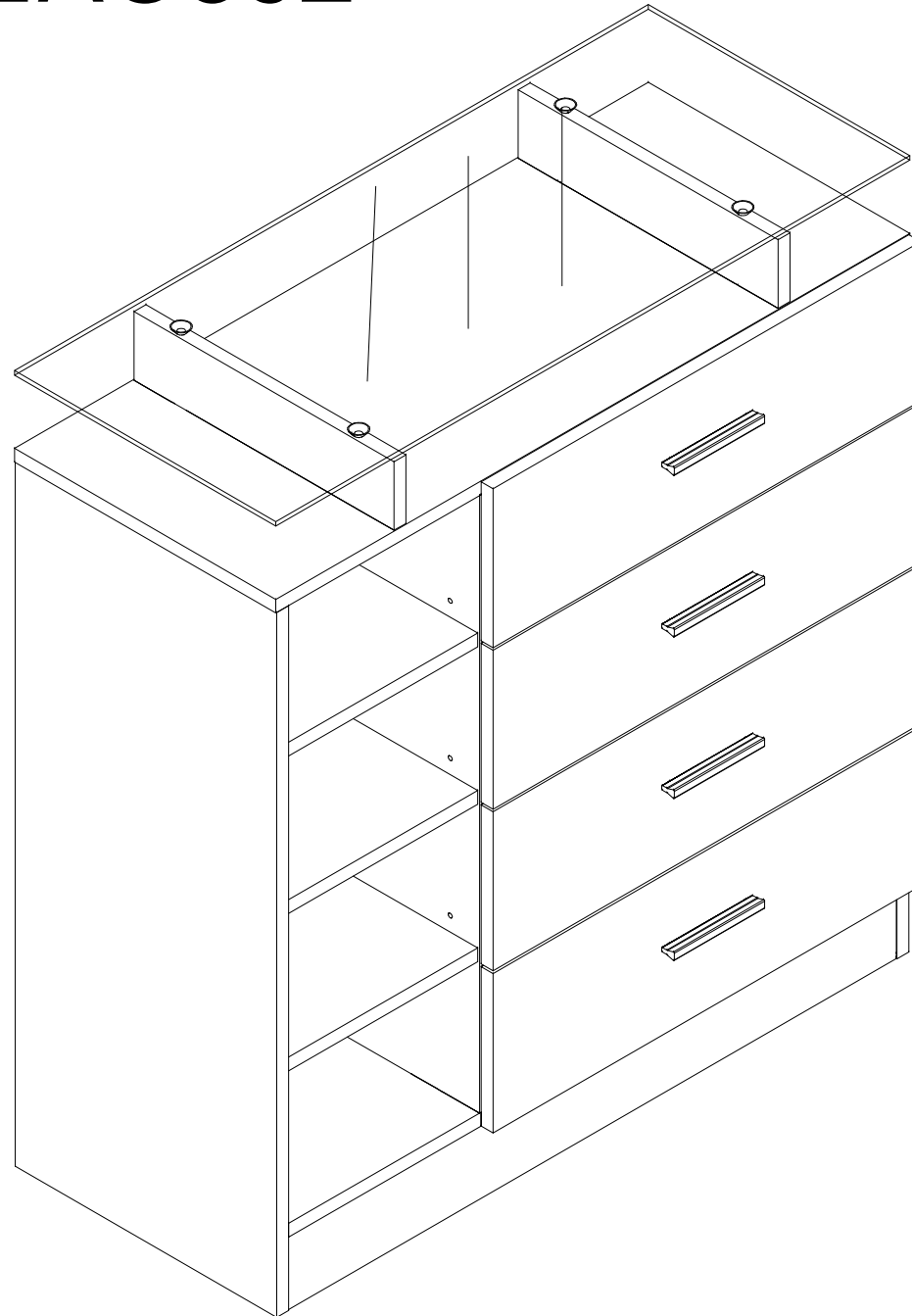
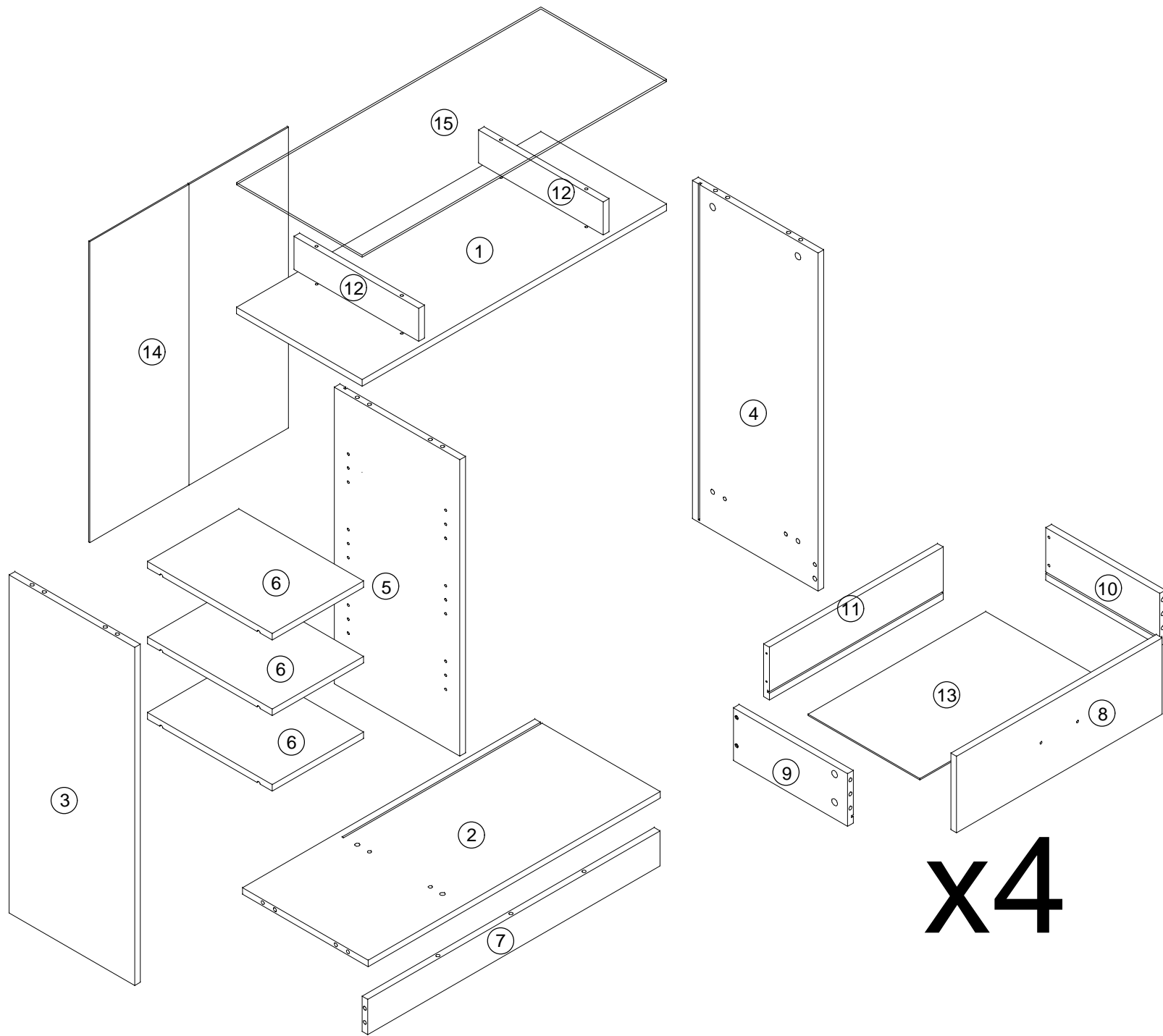


# REA0592



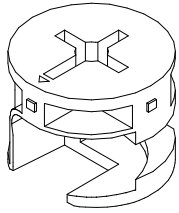


**x4**

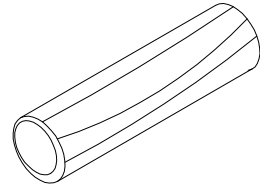
A X 32



B X 32

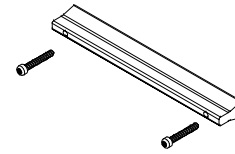


C X 23



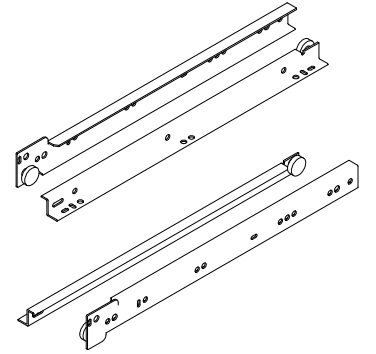
φ8\*40mm

D X 4



M4\*19mm

E X 4

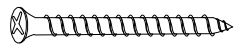


F X 32



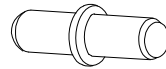
M3.5\*14mm

G X 20

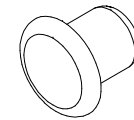


M3.5\*35mm

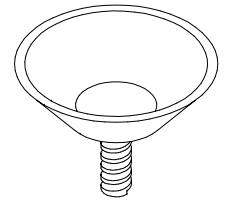
H X 12



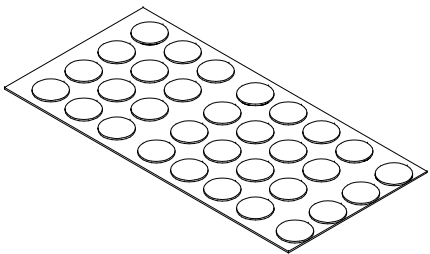
I X 24



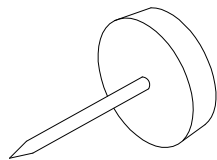
J X 4



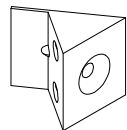
K X 32



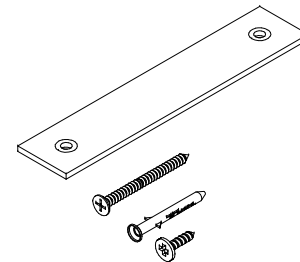
L X 5



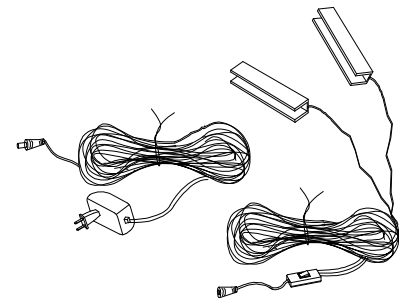
M X 12



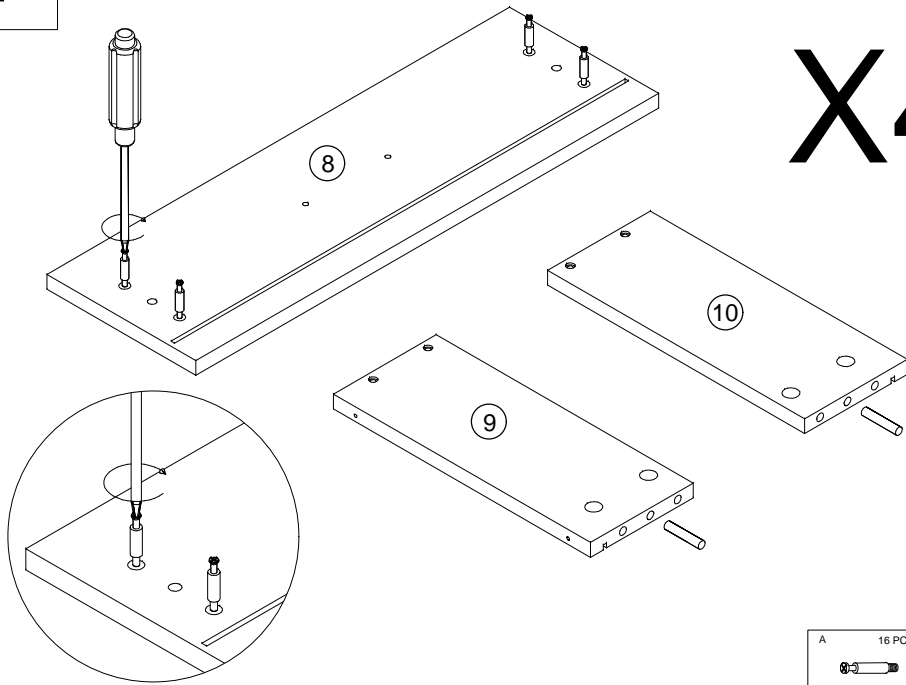
N X 2



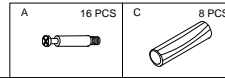
O X 1



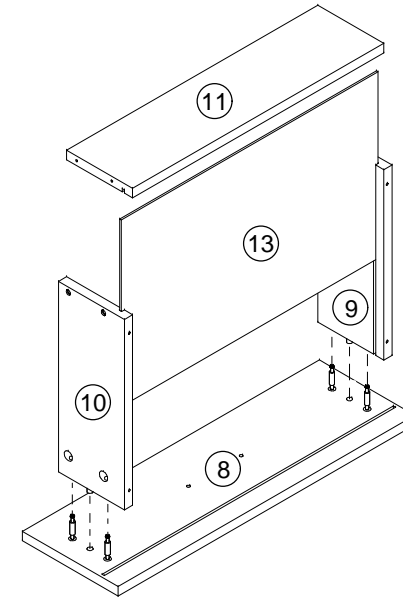
1



X4

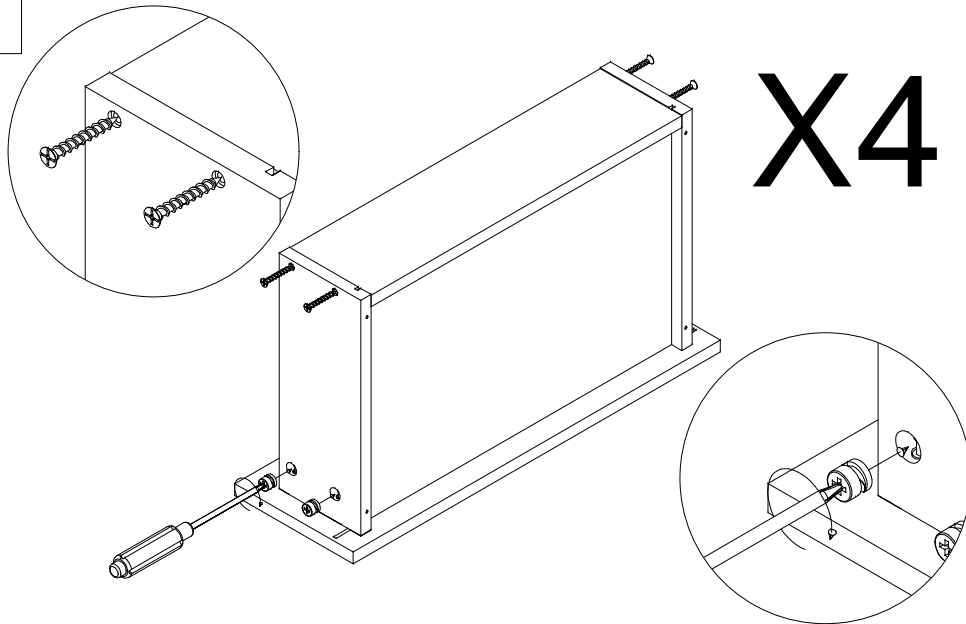


2

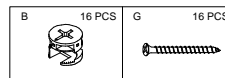


X4

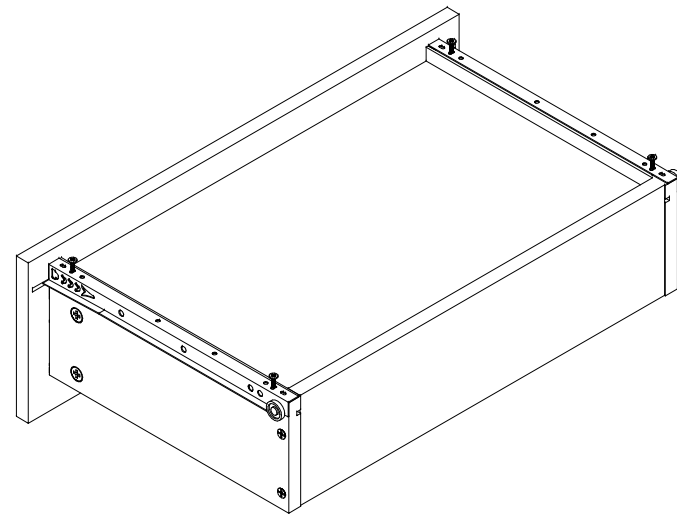
3



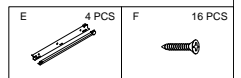
X4



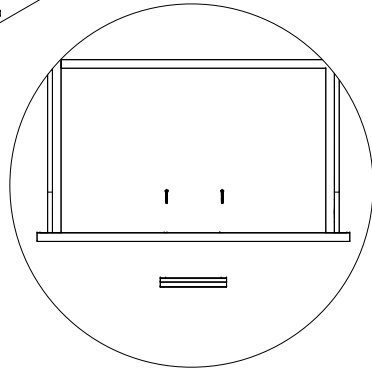
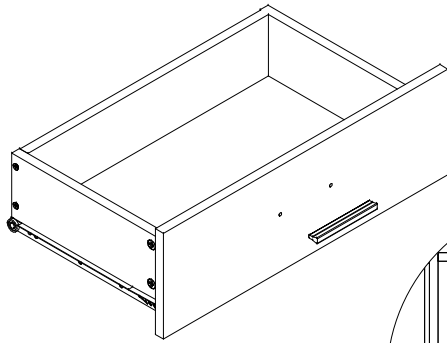
4



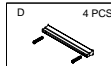
X4



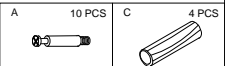
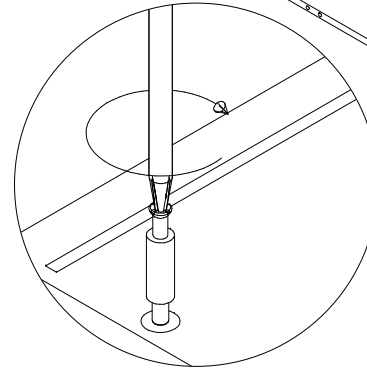
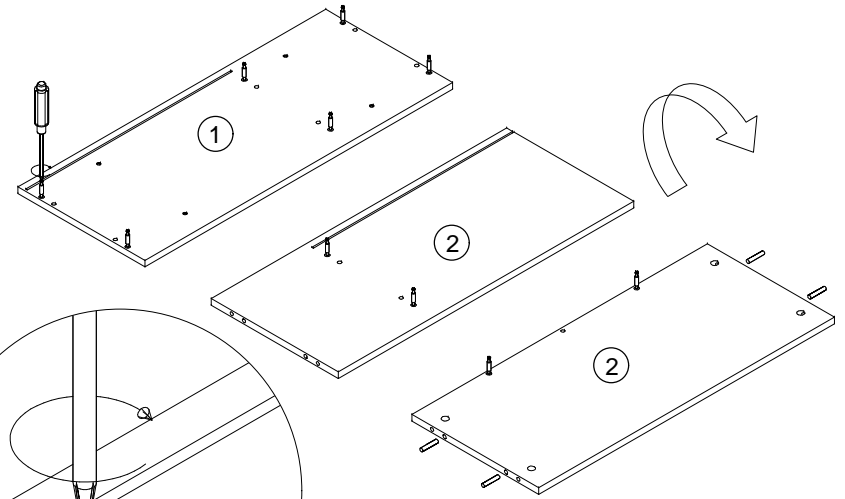
5



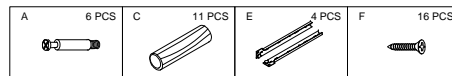
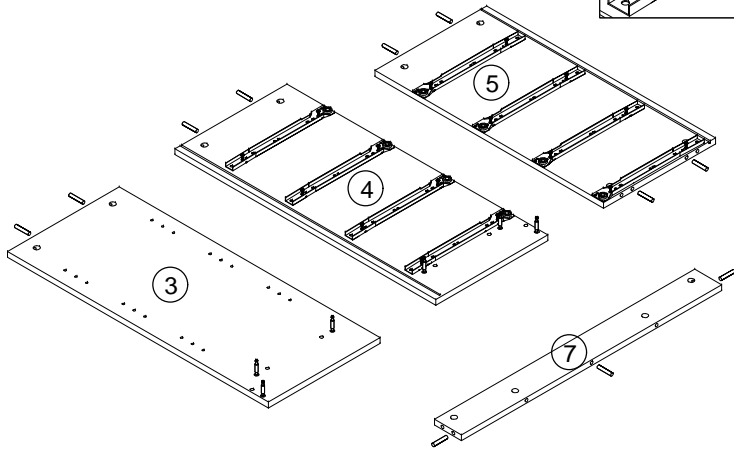
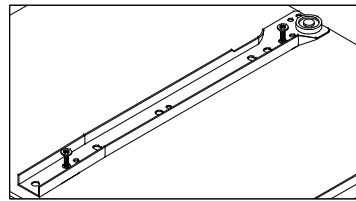
X4



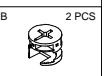
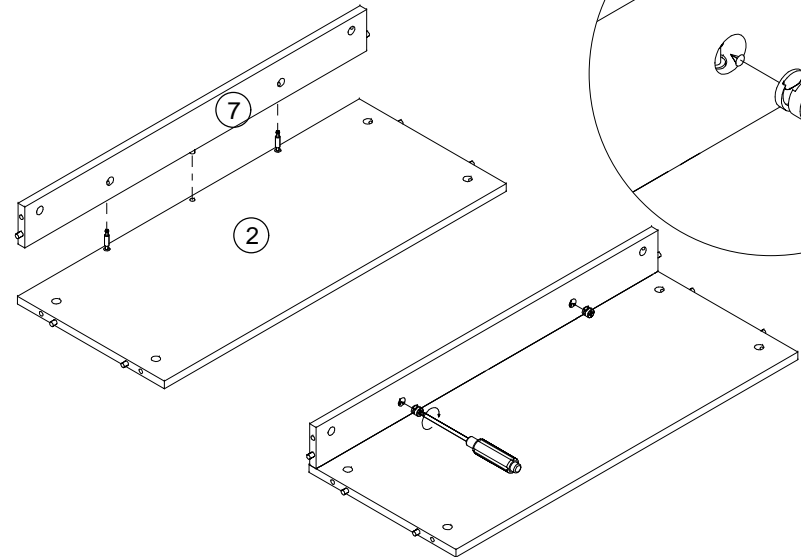
6



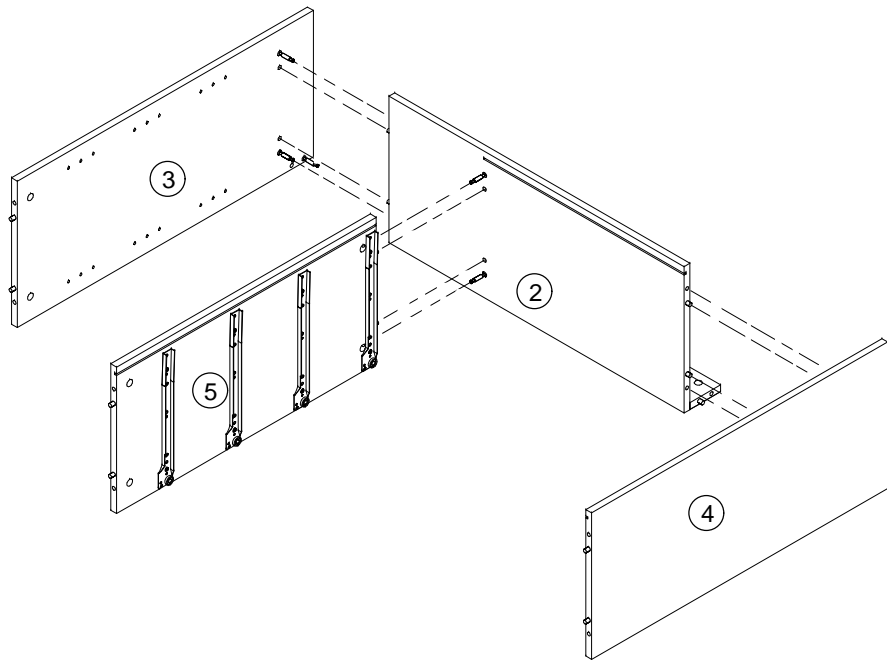
7



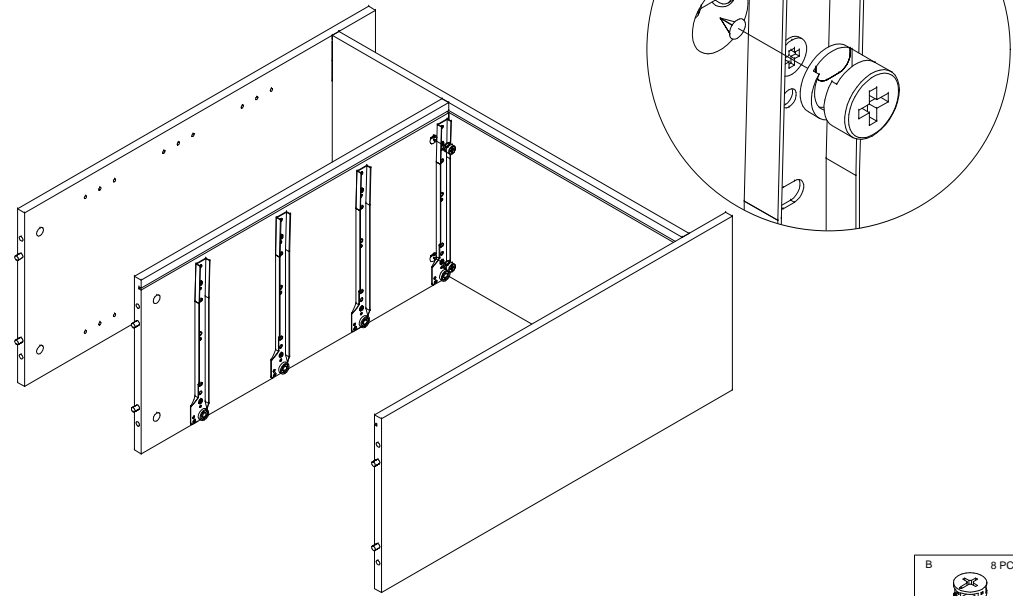
8



9



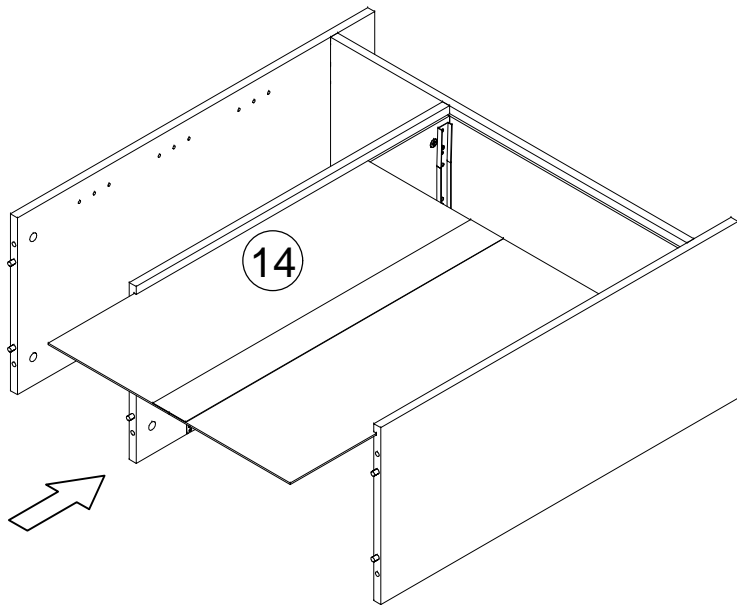
10



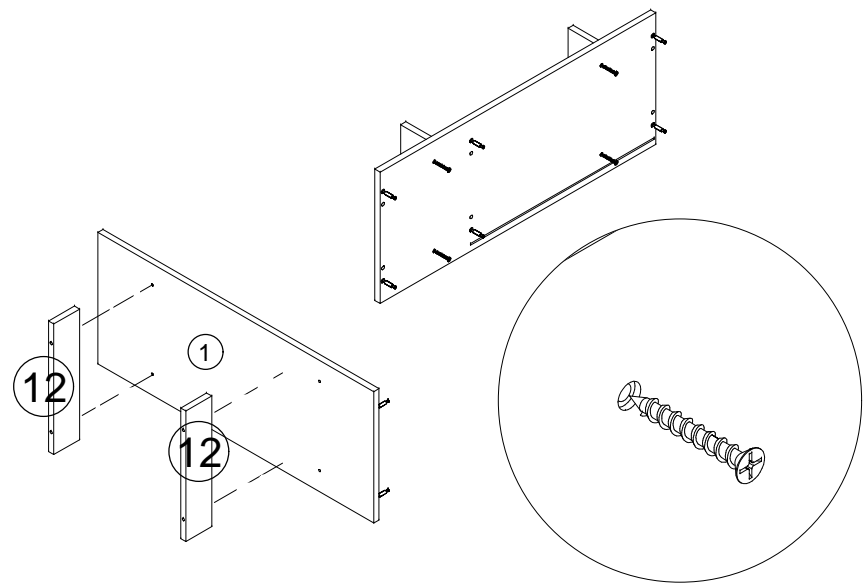
B 8 PCS



11



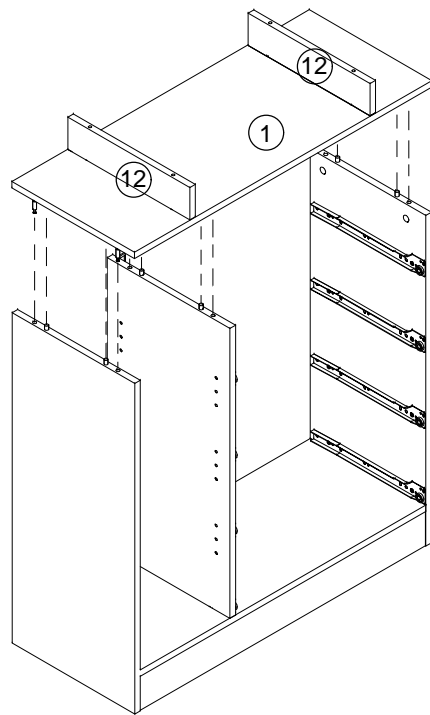
12



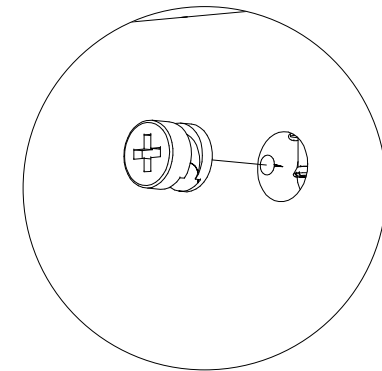
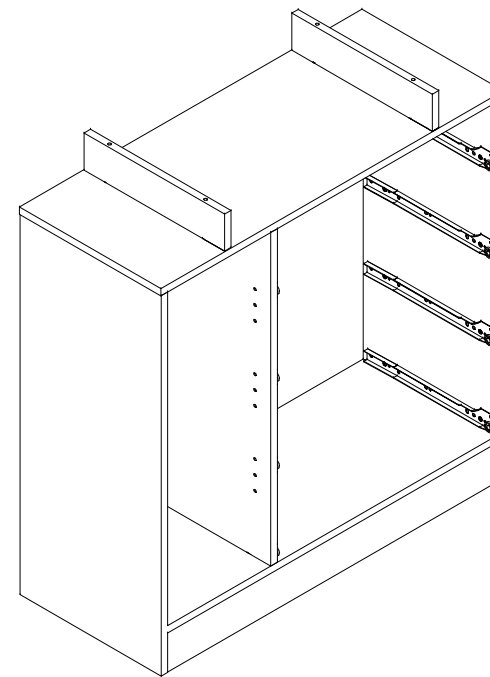
G 4 PCS



13



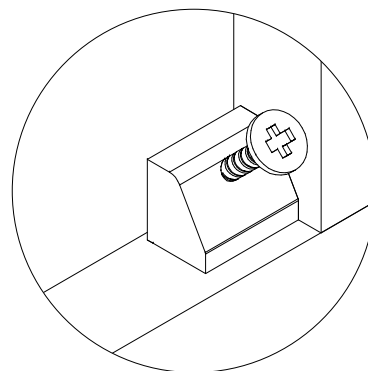
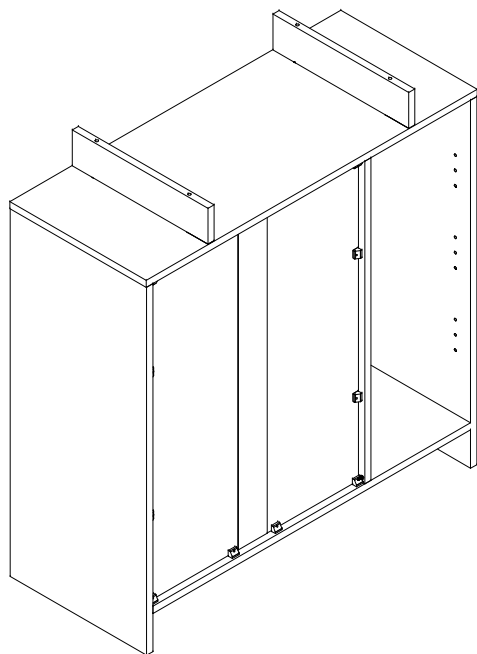
14



B 6 PCS



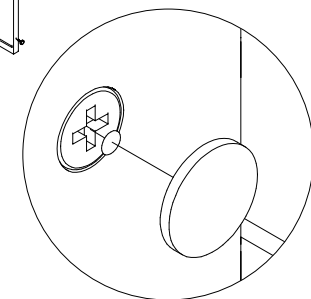
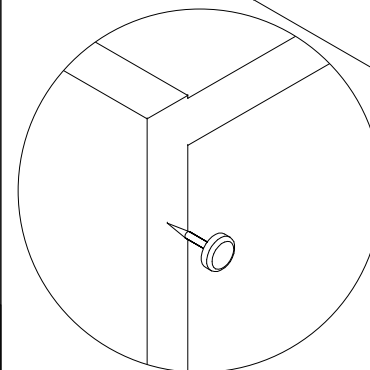
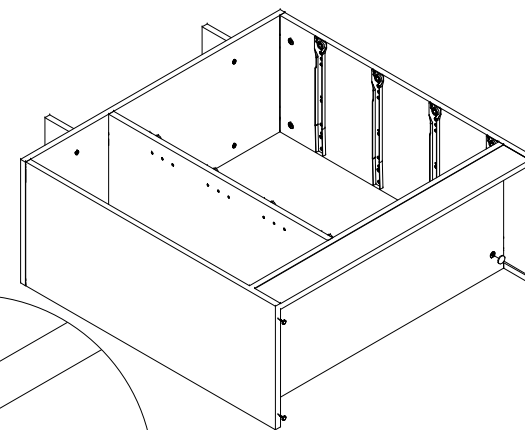
15



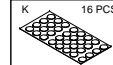
M 12 PCS



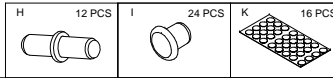
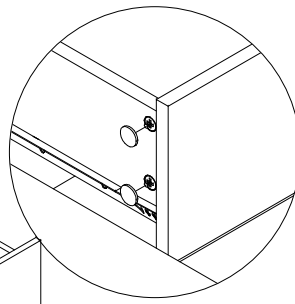
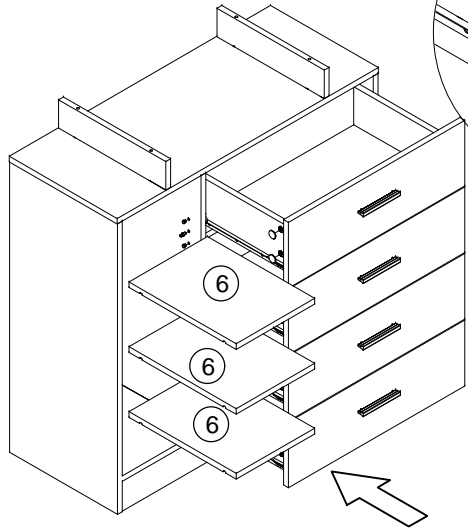
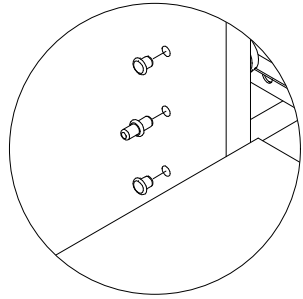
16



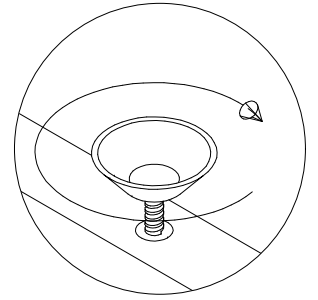
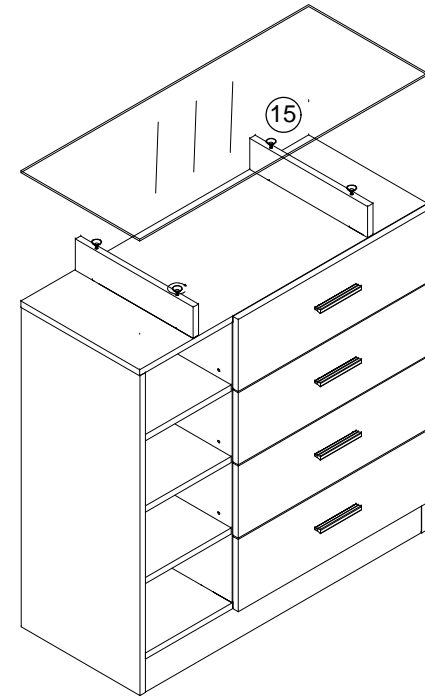
K 16 PCS L 5 PCS



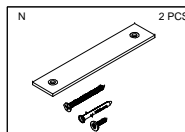
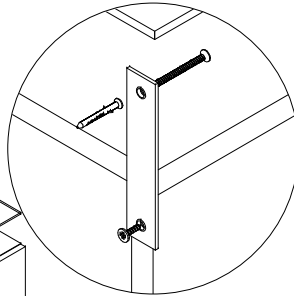
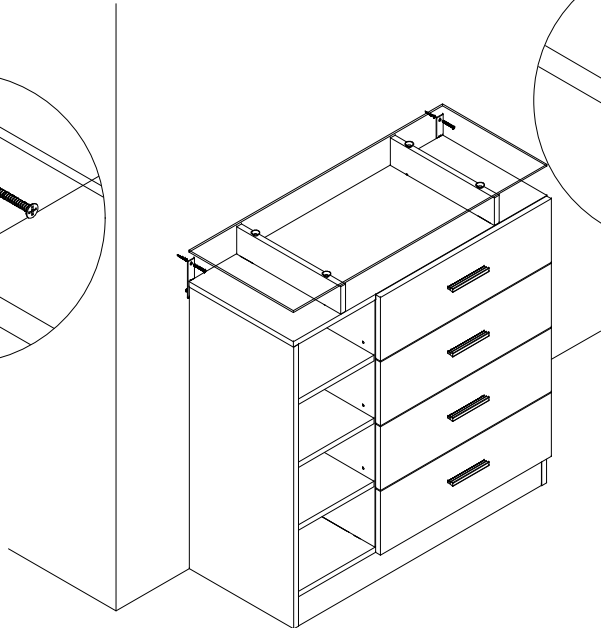
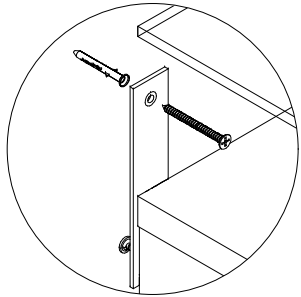
17



18



19



20

